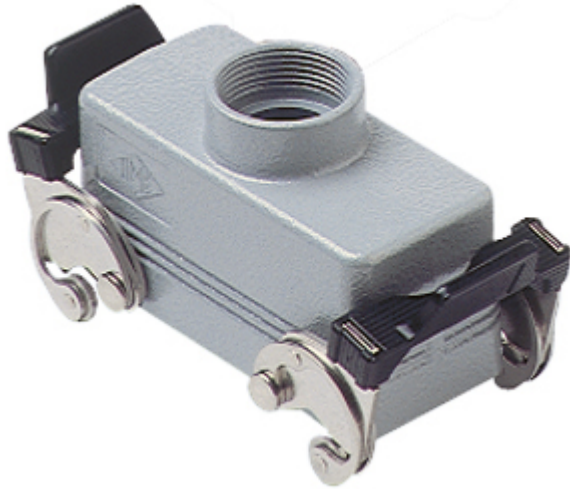


Part number

# MAV 16 X40



## Brief description:

hoods with two levers, size "77.27", top entry, M40, metal version, IP66

### Product description

Version	metal version
Series	Hoods for 2 levers, without gasket
Product type	with 2 levers, without gasket
Variant	top entry
Style	high construction
Family	CLASS enclosures
Size	size "77.27"

### Technical data

Material	metal
IP degree of protection	IP66 (and IP69K DIN 40050 - 9)
Cable entry	M40

### Further technical details

Weight	315,00 g
--------	----------

### Approvals / Standards

Quality mark	 (type:4/4X/12),  , EAC
Conformity	CQC, CE

### General ordering information

EAN13 code	8015747052535
Tariff number	85369095

### Packaging Information

Sub-packaging weight	1,58 kg
Sub-packaging description	Plastic packaging
Sub-packaging quantity	5 Pcs
Sub-packaging EAN barcode	8015747052542

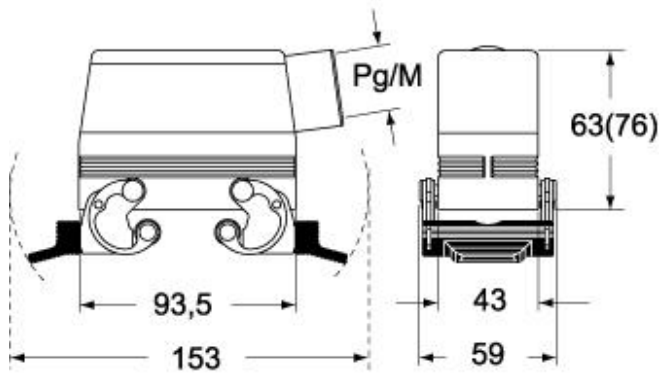
Part number

# MAV 16 X40



Catalogue drawings

**CHO X (CAO X) - MHO X (MAO X)**



**CHV X (CAV X) - MHV X (MAV X)**

